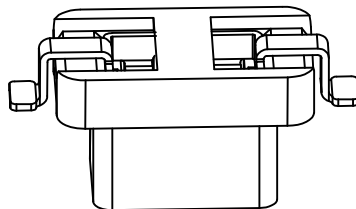
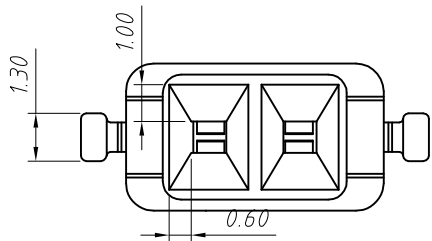


1 RoHS Compliant



MATERIAL

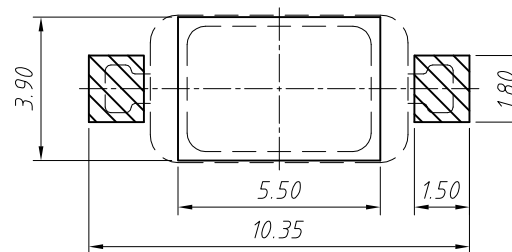
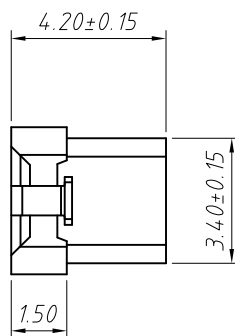
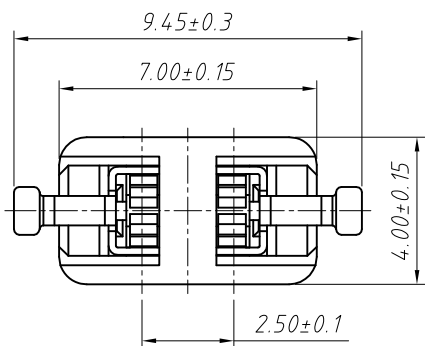
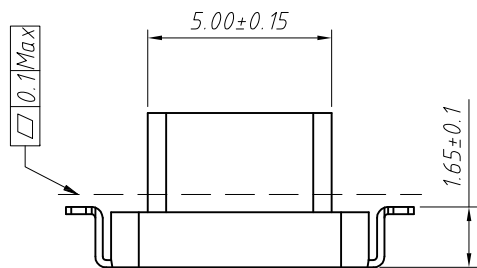
Insulator:LCP,UL 94V-0,Beige
Contacts:Phosphor Bronze,Tin-plated

Main Specifications

Poles:02P
Contact Resistance: $\leq 20m\Omega$
Insulation Resistance: $\geq 1000M\Omega$
Rated Voltage:125V AC DC
Rated Current:1.0A AC DC
Withstanding Voltage:1500V AC/minute
Temperature Range: $-40^{\circ}C \sim +120^{\circ}C$

Order Information

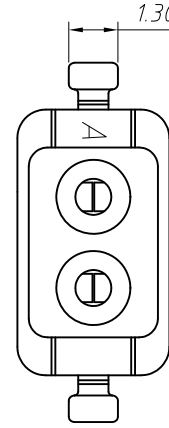
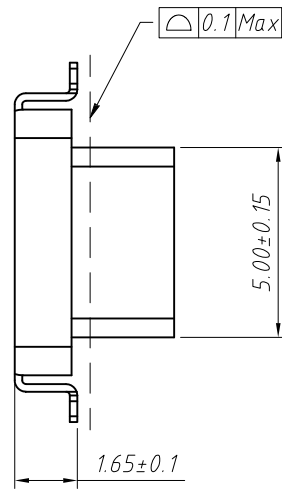
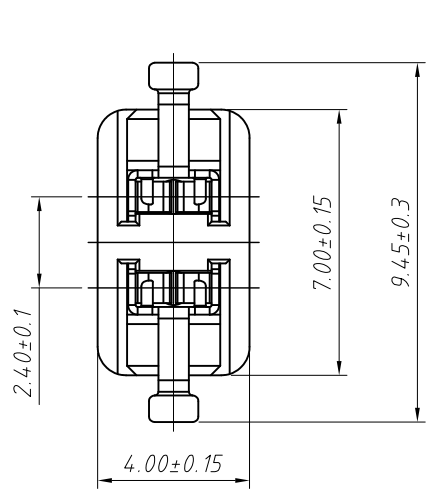
L-KLS2- L74
Series No.
RoHS



Board Layout
General tolerance: ± 0.05

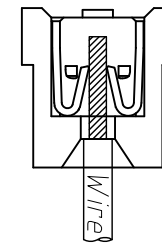
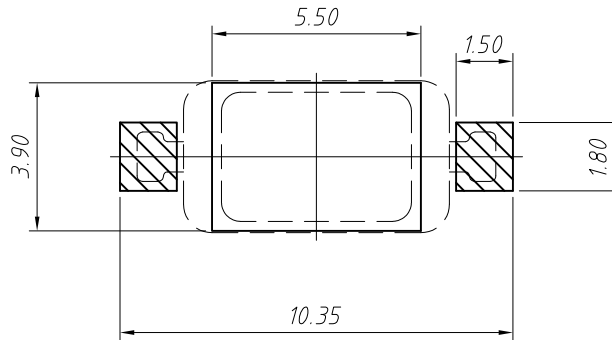
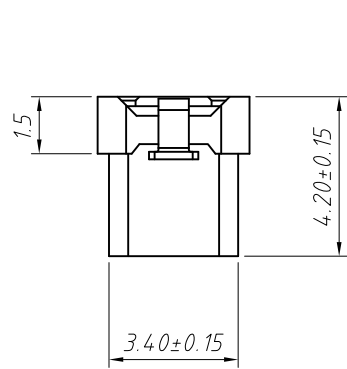
GENERAL TOLERANCE		ANGLE TOLERANCE		PROJECTION		Description:
X.	± 0.15	X.	$\pm 5^{\circ}$	UNITS	mm	Board to Board Link, for LED Bulb,Pitch 2.0mm
.X	± 0.03	.X	$\pm 3^{\circ}$	SHEET SIZE	A4	
.XX	± 0.05	.XX	$\pm 2^{\circ}$		KLS P/N:	
Draw by:	Jenny	Date:	2018-03-10	NingBo KLS ELECTRONIC CO.,LTD.		
Check by:		Date:	2018-03-10			
SCALE		SHEET	1 OF 1			

1 RoHS Compliant



Material:
 Housing: LCP, UL 94 V-0, Beige/Natural
 Contacts: Phosphor Bronze, Matte Sn-plated

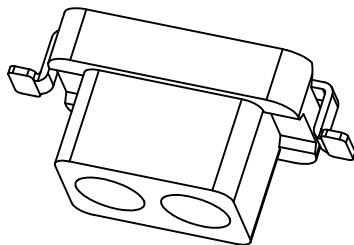
Main Specifications
 Poles: 02P
 Contact Resistance: $\leq 20m\Omega$
 Insulation Resistance: $\geq 1000M\Omega$
 Rated Voltage: 275V AC DC
 Rated Current: 1.0A AC DC
 Withstanding Voltage: 1500V AC/minute
 Temperature Range: $-40^{\circ}C \sim +120^{\circ}C$



Assembly Layout

Order Information
 L-KLS2-L74AVF
 Series No.
 Pos. NO.
 RoHS

Board Layout
 General Tolerance: ± 0.05



GENERAL TOLERANCE		ANGLE TOLERANCE		PROJECTION	Description:	
X. ± 0.15		X. $\pm 5^{\circ}$		UNITS	2.5mm Pitch 180° Wafer SMT Type	
.X ± 0.03		.X $\pm 3^{\circ}$		SHEET SIZE		A4
.XX ± 0.05		.XX $\pm 2^{\circ}$		KLS P/N:		L-KLS2-L74AVF

Draw by:	Jenny	Date:	2018-03-10
Check by:		Date:	2018-03-10
SCALE		SHEET	1 OF 1



NingBo KLS ELECTRONIC CO.,LTD.